

4

3

2

1

REVISION HISTORY					
ECO	SHEET	REV.	DESCRIPTION	DATE	APPR'D
		A	INITIAL RELEASE	10/1/2024	DVE



PLANAR SYSTEMS, INC.
1195 NE COMPTON DRIVE
HILLSBORO, OR 97006 USA

THIS DRAWING CONTAINS INFORMATION PROPRIETARY TO PLANAR SYSTEMS, INC. ANY REPRODUCTION IN PART OR WHOLE WITHOUT THE WRITTEN PERMISSION OF PLANAR SYSTEMS IS PROHIBITED. THIS DRAWING IS SUPPLIED FOR INFORMATION, IDENTIFICATION, ENGINEERING, EVALUATION, AND/OR INSPECTION PURPOSES ONLY AND MAY NOT BE USED AS BASIS FOR THE MANUFACTURING OF PRODUCTS OR THE DESIGN OF ANY THIRD PARTY UNLESS AUTHORIZED IN WRITING BY PLANAR SYSTEMS.



PRODUCT
DirectLight® Slim Series LED
Product Overview

PART NO.

UNLESS OTHERWISE SPECIFIED DIMENSIONS ARE IN MILLIMETERS (INCHES).

SHEET TITLE
DIRECTLIGHT SLIM
OUTLINE

DRAWN BY
DVE

DRAWN DATE
10/01/2024

SHEET
1 OF 10

SHEET SIZE REVISION
B A

1. SPECIFICATIONS SUBJECT TO CHANGE WITHOUT NOTICE.

NOTES: UNLESS OTHERWISE SPECIFIED.

4

3

2

1

D

C

B

A

D

C

B

A

4

3

2

1

D

C

B

A

1. SPECIFICATIONS SUBJECT TO CHANGE WITHOUT NOTICE.

NOTES: UNLESS OTHERWISE SPECIFIED.

4

3

2

1

Sheet List Table	
Sheet Number	Sheet Title
1	DIRECTLIGHT SLIM OUTLINE
2	KEY & INDEX
3	DLSLIM PRODUCT OVERVIEW
4	DLSLIM CHASSIS OVERVIEW
5	DLSLIM MODULE OVERVIEW
6	DLSLIM FRONT ACCESS MOUNTING
7	DLSLIM REAR ACCESS MOUNTING
8	DLSLIM MOUNTING ACCESSORIES
9	DLSLIM WALL BRACKET MOUNTING
10	DLSLIM CABINET TRIM



PLANAR SYSTEMS, INC.
1195 NE COMPTON DRIVE
HILLSBORO, OR 97006 USA

D

THIS DRAWING CONTAINS INFORMATION PROPRIETARY TO PLANAR SYSTEMS, INC. ANY REPRODUCTION IN PART OR WHOLE WITHOUT THE WRITTEN PERMISSION OF PLANAR SYSTEMS IS PROHIBITED. THIS DRAWING IS SUPPLIED FOR INFORMATION, IDENTIFICATION, ENGINEERING, EVALUATION, AND/OR INSPECTION PURPOSES ONLY AND MAY NOT BE USED AS BASIS FOR THE MANUFACTURING OF PRODUCTS OR THE MARKETING OF PRODUCTS UNDER THE PLANAR SYSTEMS OR TO ANY THIRD PARTY, UNLESS AUTHORIZED IN WRITING BY PLANAR SYSTEMS.

C

PRODUCT
**DirectLight® Slim Series LED
Product Overview**

PART NO.

-

B

SHEET TITLE
KEY & INDEX

UNLESS OTHERWISE SPECIFIED DIMENSIONS ARE IN MILLIMETERS [INCHES].

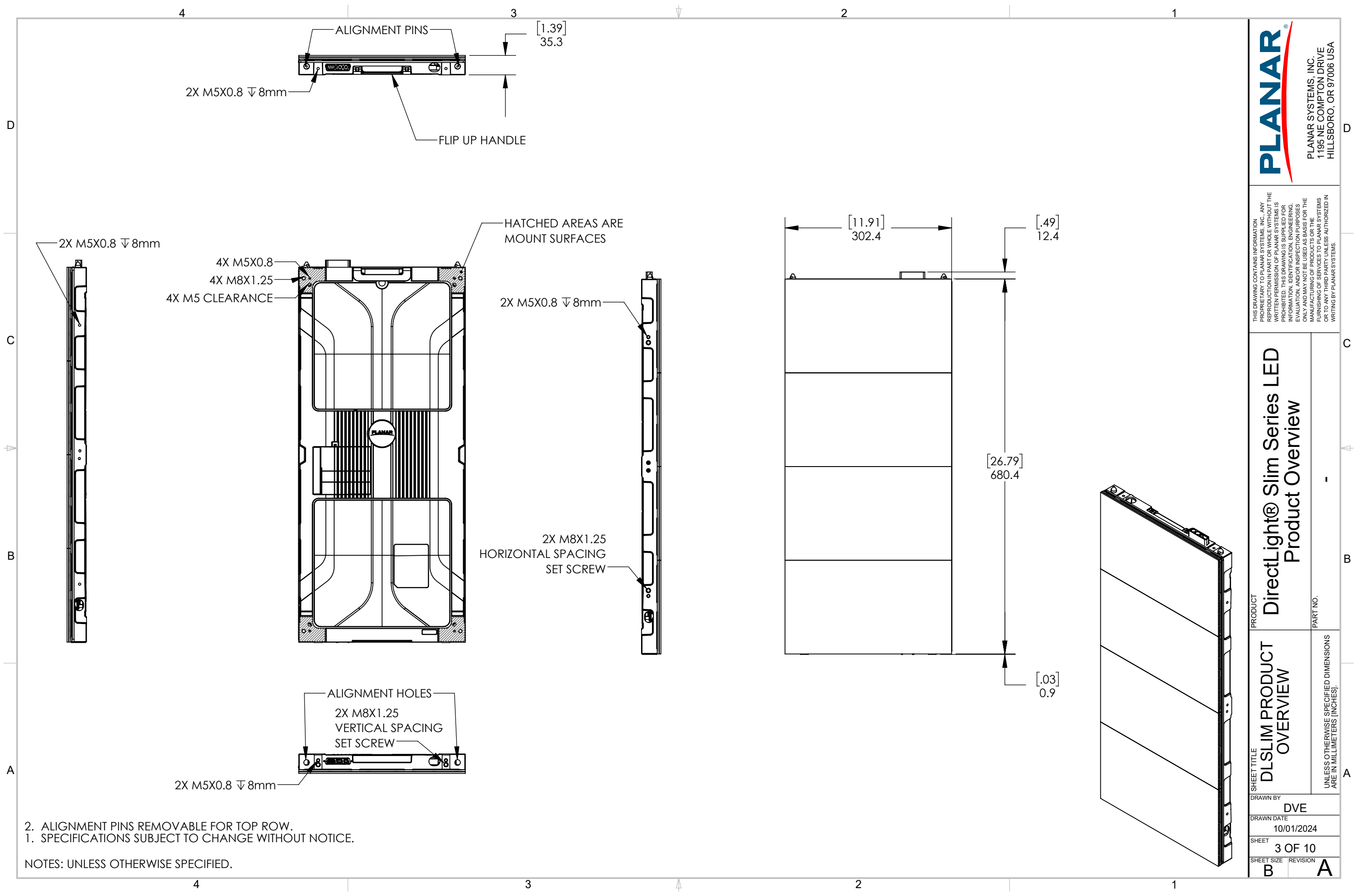
A

DRAWN BY
DVE

DRAWN DATE
10/01/2024

SHEET
2 OF 10

SHEET SIZE REVISION
B A



2. ALIGNMENT PINS REMOVABLE FOR TOP ROW.
 1. SPECIFICATIONS SUBJECT TO CHANGE WITHOUT NOTICE.

NOTES: UNLESS OTHERWISE SPECIFIED.

THIS DRAWING CONTAINS INFORMATION PROPRIETARY TO PLANAR SYSTEMS, INC. ANY REPRODUCTION IN PART OR WHOLE WITHOUT THE WRITTEN PERMISSION OF PLANAR SYSTEMS IS PROHIBITED. THIS DRAWING IS SUPPLIED FOR INFORMATION, IDENTIFICATION, ENGINEERING, EVALUATION, AND/OR INSPECTION PURPOSES ONLY AND MAY NOT BE USED AS BASIS FOR THE MANUFACTURING OF PRODUCTS OR THE DESIGN OF ANY THIRD PARTY UNLESS AUTHORIZED IN WRITING BY PLANAR SYSTEMS.

PRODUCT
DirectLight® Slim Series LED
 Product Overview

SHEET TITLE
DLSLIM PRODUCT OVERVIEW

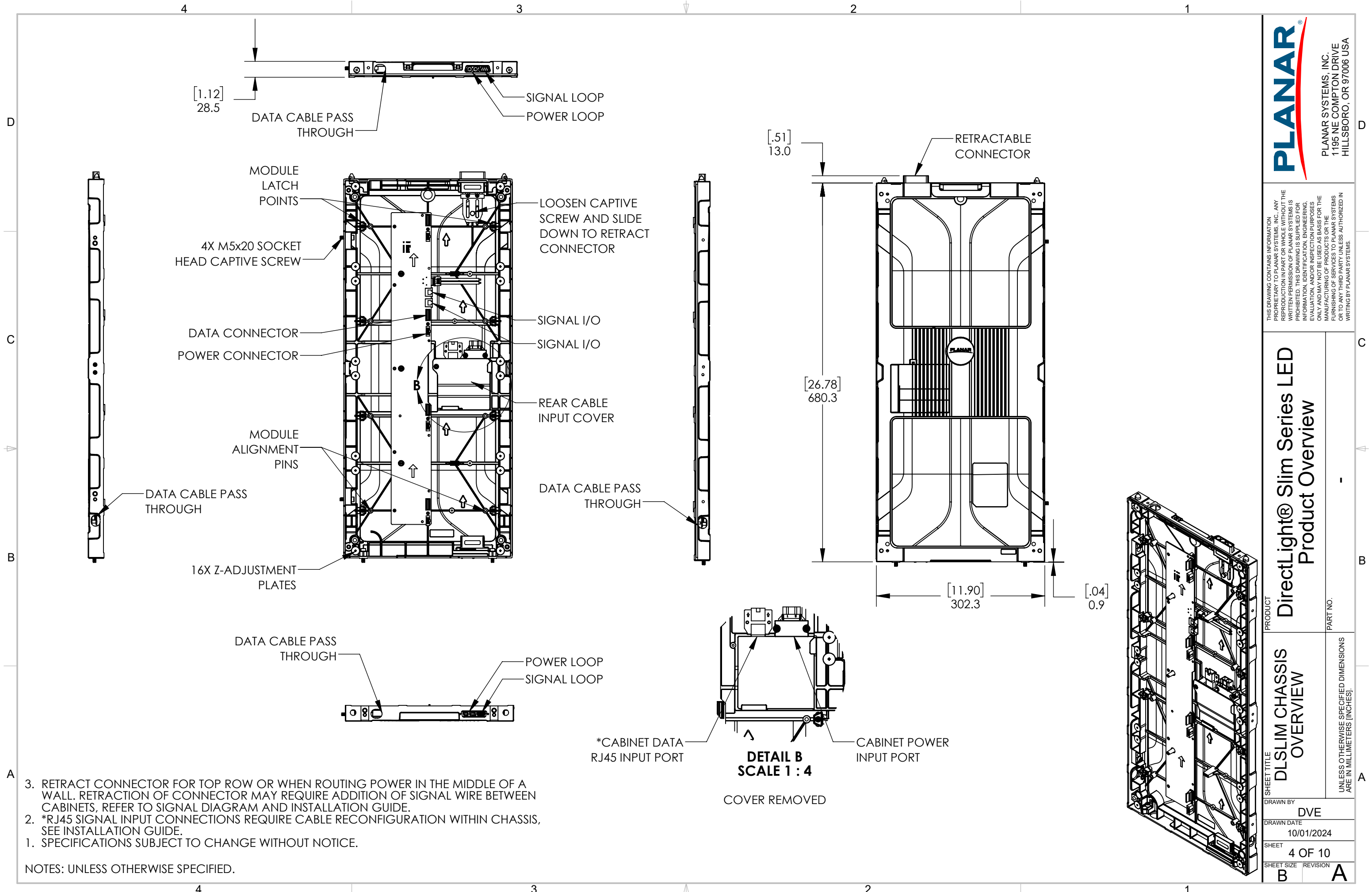
UNLESS OTHERWISE SPECIFIED DIMENSIONS ARE IN MILLIMETERS (INCHES):

DRAWN BY
 DVE

DRAWN DATE
 10/01/2024

SHEET
 3 OF 10

SHEET SIZE REVISION
 B A



3. RETRACT CONNECTOR FOR TOP ROW OR WHEN ROUTING POWER IN THE MIDDLE OF A WALL. RETRACTION OF CONNECTOR MAY REQUIRE ADDITION OF SIGNAL WIRE BETWEEN CABINETS, REFER TO SIGNAL DIAGRAM AND INSTALLATION GUIDE.
2. *RJ45 SIGNAL INPUT CONNECTIONS REQUIRE CABLE RECONFIGURATION WITHIN CHASSIS, SEE INSTALLATION GUIDE.
1. SPECIFICATIONS SUBJECT TO CHANGE WITHOUT NOTICE.

NOTES: UNLESS OTHERWISE SPECIFIED.

THIS DRAWING CONTAINS INFORMATION PROPRIETARY TO PLANAR SYSTEMS, INC. ANY REPRODUCTION IN PART OR WHOLE WITHOUT THE WRITTEN PERMISSION OF PLANAR SYSTEMS IS PROHIBITED. THIS DRAWING IS SUPPLIED FOR INFORMATION, IDENTIFICATION, ENGINEERING, EVALUATION, AND/OR INSPECTION PURPOSES ONLY AND MAY NOT BE USED AS BASIS FOR THE MANUFACTURING OF PRODUCTS OR THE DESIGN OF ANY THIRD PARTY UNLESS AUTHORIZED IN WRITING BY PLANAR SYSTEMS.

PRODUCT
DirectLight® Slim Series LED
Product Overview

PART NO.

SHEET TITLE
DLSLIM CHASSIS OVERVIEW

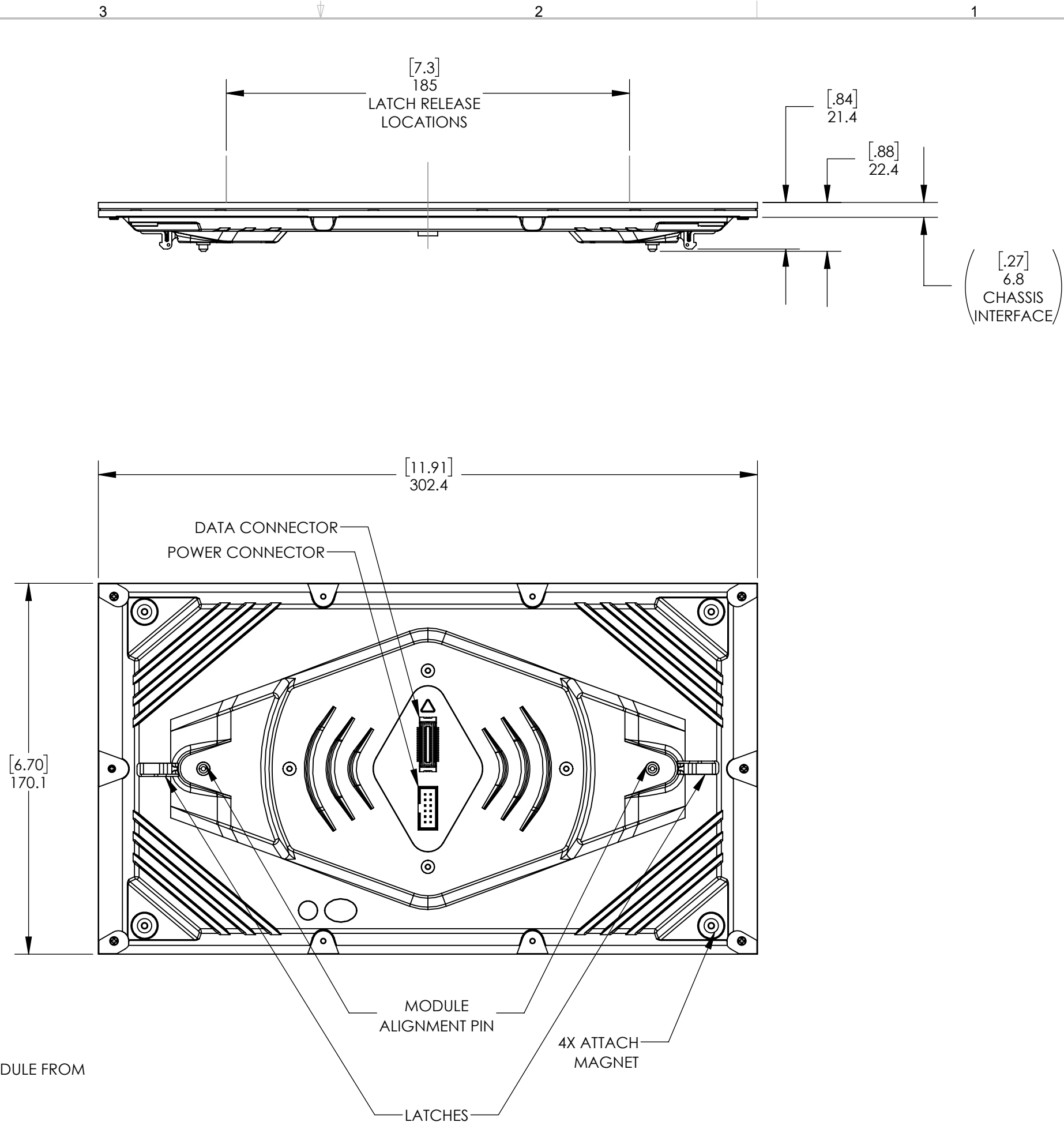
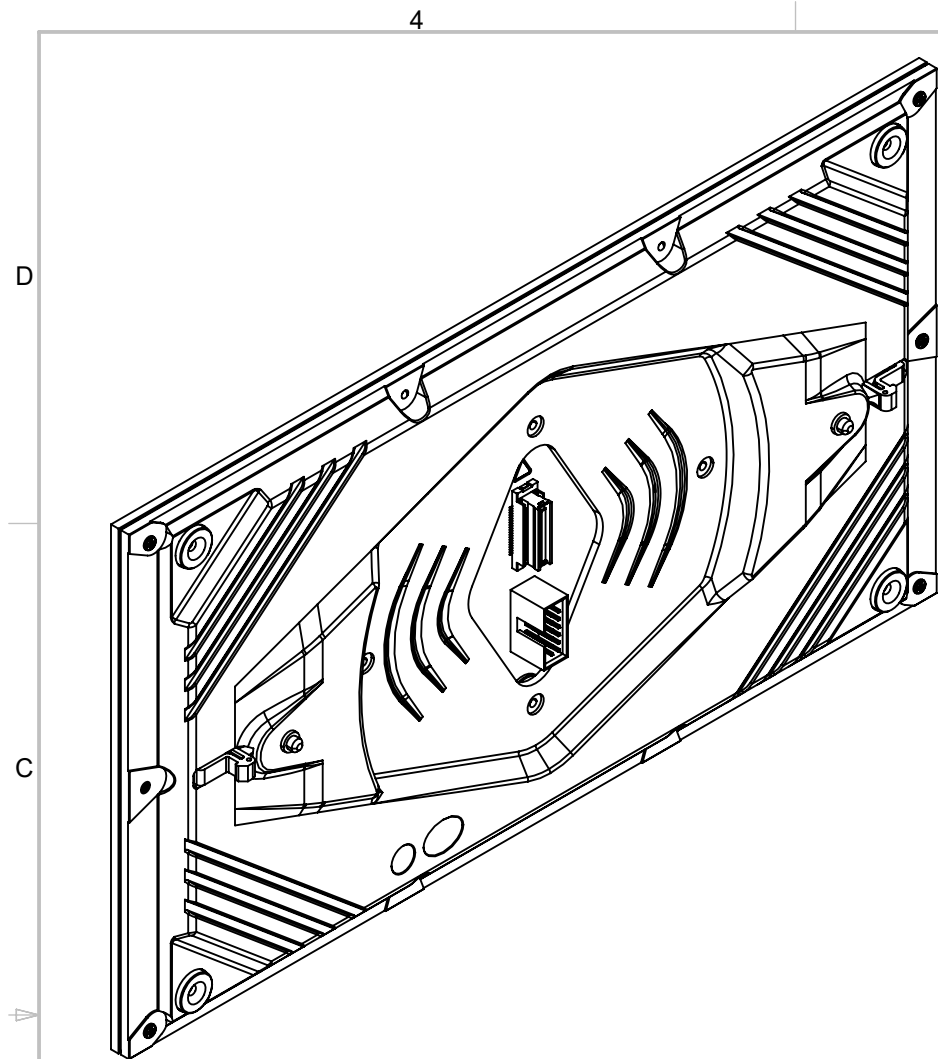
UNLESS OTHERWISE SPECIFIED DIMENSIONS ARE IN MILLIMETERS (INCHES).

DRAWN BY
DVE

DRAWN DATE
10/01/2024

SHEET
4 OF 10

SHEET SIZE REVISION
B A



2. MAGNETIC TOOL REQUIRED TO DE-ACTIVATE LATCHES TO REMOVE MODULE FROM CHASSIS.
 1. SPECIFICATIONS SUBJECT TO CHANGE WITHOUT NOTICE.
 NOTES: UNLESS OTHERWISE SPECIFIED.

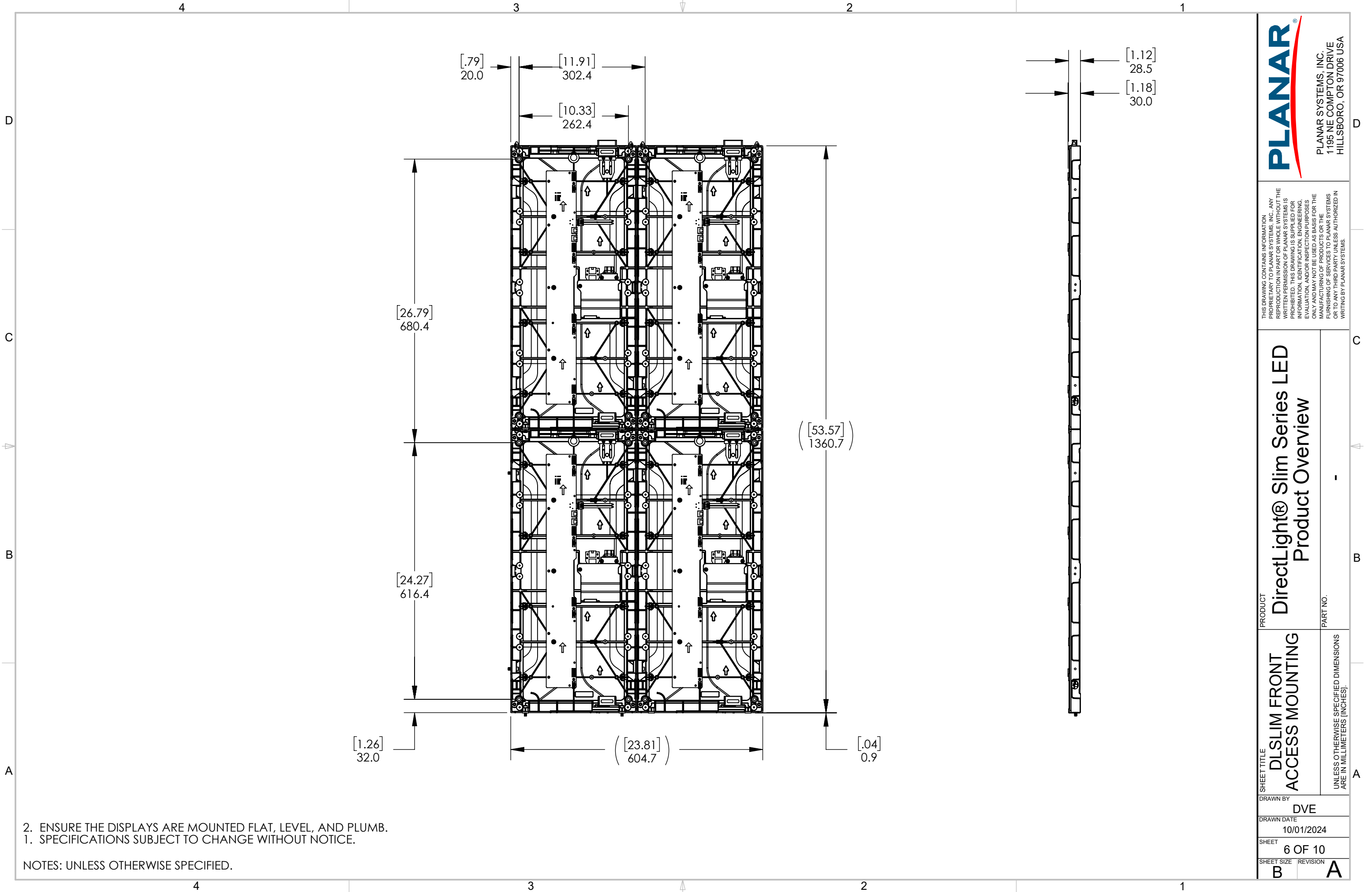
PLANAR
 PLANAR SYSTEMS, INC.
 1195 NE COMPTON DRIVE
 HILLSBORO, OR 97006 USA

THIS DRAWING CONTAINS INFORMATION PROPRIETARY TO PLANAR SYSTEMS, INC. ANY REPRODUCTION IN PART OR WHOLE WITHOUT THE WRITTEN PERMISSION OF PLANAR SYSTEMS IS PROHIBITED. THIS DRAWING IS SUPPLIED FOR INFORMATION, IDENTIFICATION, ENGINEERING, EVALUATION, AND/OR INSPECTION PURPOSES ONLY AND MAY NOT BE USED AS BASIS FOR THE MANUFACTURING OF PRODUCTS OR THE DESIGN OF ANY THIRD PARTY UNLESS AUTHORIZED IN WRITING BY PLANAR SYSTEMS.

PRODUCT
DirectLight® Slim Series LED
Product Overview
 PART NO.

SHEET TITLE
DLSLIM MODULE OVERVIEW
 UNLESS OTHERWISE SPECIFIED DIMENSIONS ARE IN MILLIMETERS (INCHES).

DRAWN BY
DVE
 DRAWN DATE
10/01/2024
 SHEET
5 OF 10
 SHEET SIZE REVISION
B A



2. ENSURE THE DISPLAYS ARE MOUNTED FLAT, LEVEL, AND PLUMB.
 1. SPECIFICATIONS SUBJECT TO CHANGE WITHOUT NOTICE.

NOTES: UNLESS OTHERWISE SPECIFIED.



PLANAR SYSTEMS, INC.
 1195 NE COMPTON DRIVE
 HILLSBORO, OR 97006 USA

THIS DRAWING CONTAINS INFORMATION PROPRIETARY TO PLANAR SYSTEMS, INC. ANY REPRODUCTION IN PART OR WHOLE WITHOUT THE WRITTEN PERMISSION OF PLANAR SYSTEMS IS PROHIBITED. THIS DRAWING IS SUPPLIED FOR INFORMATION, IDENTIFICATION, ENGINEERING, EVALUATION, AND/OR INSPECTION PURPOSES ONLY AND MAY NOT BE USED AS BASIS FOR THE MANUFACTURING OF PRODUCTS OR THE DESIGN OF ANY THIRD PARTY UNLESS AUTHORIZED IN WRITING BY PLANAR SYSTEMS.

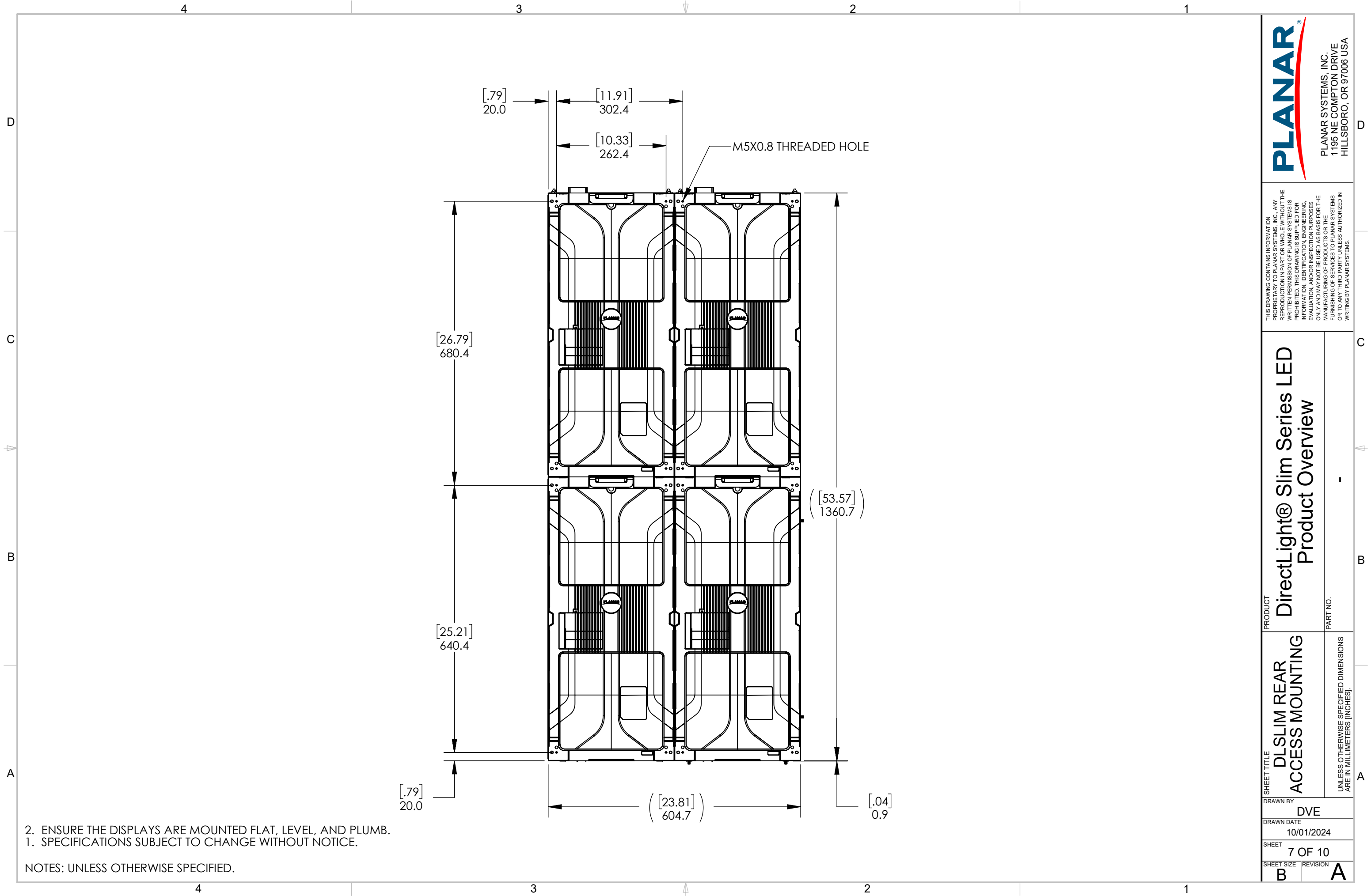
PRODUCT
DirectLight® Slim Series LED
Product Overview

PART NO.
 -

SHEET TITLE
DLSLIM FRONT
ACCESS MOUNTING

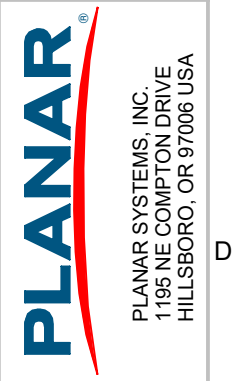
UNLESS OTHERWISE SPECIFIED DIMENSIONS ARE IN MILLIMETERS (INCHES).

DRAWN BY	DVE
DRAWN DATE	10/01/2024
SHEET	6 OF 10
SHEET SIZE	REVISION
B	A



2. ENSURE THE DISPLAYS ARE MOUNTED FLAT, LEVEL, AND PLUMB.
 1. SPECIFICATIONS SUBJECT TO CHANGE WITHOUT NOTICE.

NOTES: UNLESS OTHERWISE SPECIFIED.



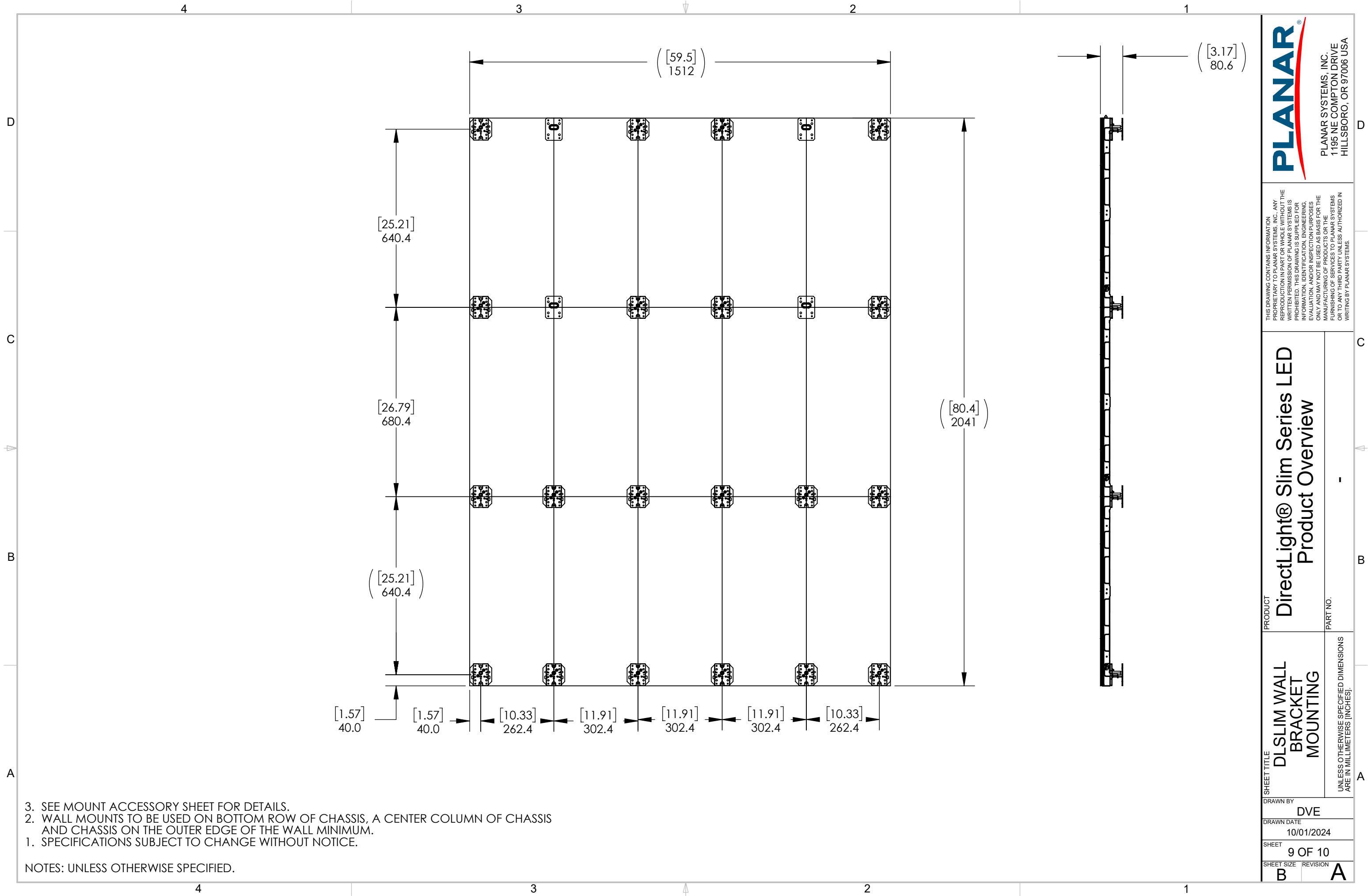
THIS DRAWING CONTAINS INFORMATION PROPRIETARY TO PLANAR SYSTEMS, INC. ANY REPRODUCTION IN PART OR WHOLE WITHOUT THE WRITTEN PERMISSION OF PLANAR SYSTEMS IS PROHIBITED. THIS DRAWING IS SUPPLIED FOR INFORMATION, IDENTIFICATION, ENGINEERING, EVALUATION, AND/OR INSPECTION PURPOSES ONLY AND MAY NOT BE USED AS BASIS FOR THE MANUFACTURING OF PRODUCTS OR THE DESIGN OF ANY PARTS OR SYSTEMS UNLESS AUTHORIZED IN WRITING BY PLANAR SYSTEMS.

PRODUCT
DirectLight® Slim Series LED Access Mounting
 PRODUCT OVERVIEW

SHEET TITLE
DLSLIM REAR ACCESS MOUNTING

UNLESS OTHERWISE SPECIFIED DIMENSIONS ARE IN MILLIMETERS (INCHES):

DRAWN BY	DVE
DRAWN DATE	10/01/2024
SHEET	7 OF 10
SHEET SIZE	REVISION
B	A



3. SEE MOUNT ACCESSORY SHEET FOR DETAILS.
2. WALL MOUNTS TO BE USED ON BOTTOM ROW OF CHASSIS, A CENTER COLUMN OF CHASSIS AND CHASSIS ON THE OUTER EDGE OF THE WALL MINIMUM.
1. SPECIFICATIONS SUBJECT TO CHANGE WITHOUT NOTICE.

NOTES: UNLESS OTHERWISE SPECIFIED.

PLANAR
 PLANAR SYSTEMS, INC.
 1195 NE COMPTON DRIVE
 HILLSBORO, OR 97006 USA

THIS DRAWING CONTAINS INFORMATION PROPRIETARY TO PLANAR SYSTEMS, INC. ANY REPRODUCTION IN PART OR WHOLE WITHOUT THE WRITTEN PERMISSION OF PLANAR SYSTEMS IS PROHIBITED. THIS DRAWING IS SUPPLIED FOR INFORMATION, IDENTIFICATION, ENGINEERING, EVALUATION, AND/OR INSPECTION PURPOSES ONLY AND MAY NOT BE USED AS BASIS FOR THE MANUFACTURING OF PRODUCTS OR THE DESIGN OF ANY THIRD PARTY, UNLESS AUTHORIZED IN WRITING BY PLANAR SYSTEMS.

PRODUCT: **DirectLight® Slim Series LED Product Overview**

PART NO.:

SHEET TITLE: **DL SLIM WALL BRACKET MOUNTING**

UNLESS OTHERWISE SPECIFIED DIMENSIONS ARE IN MILLIMETERS (INCHES):

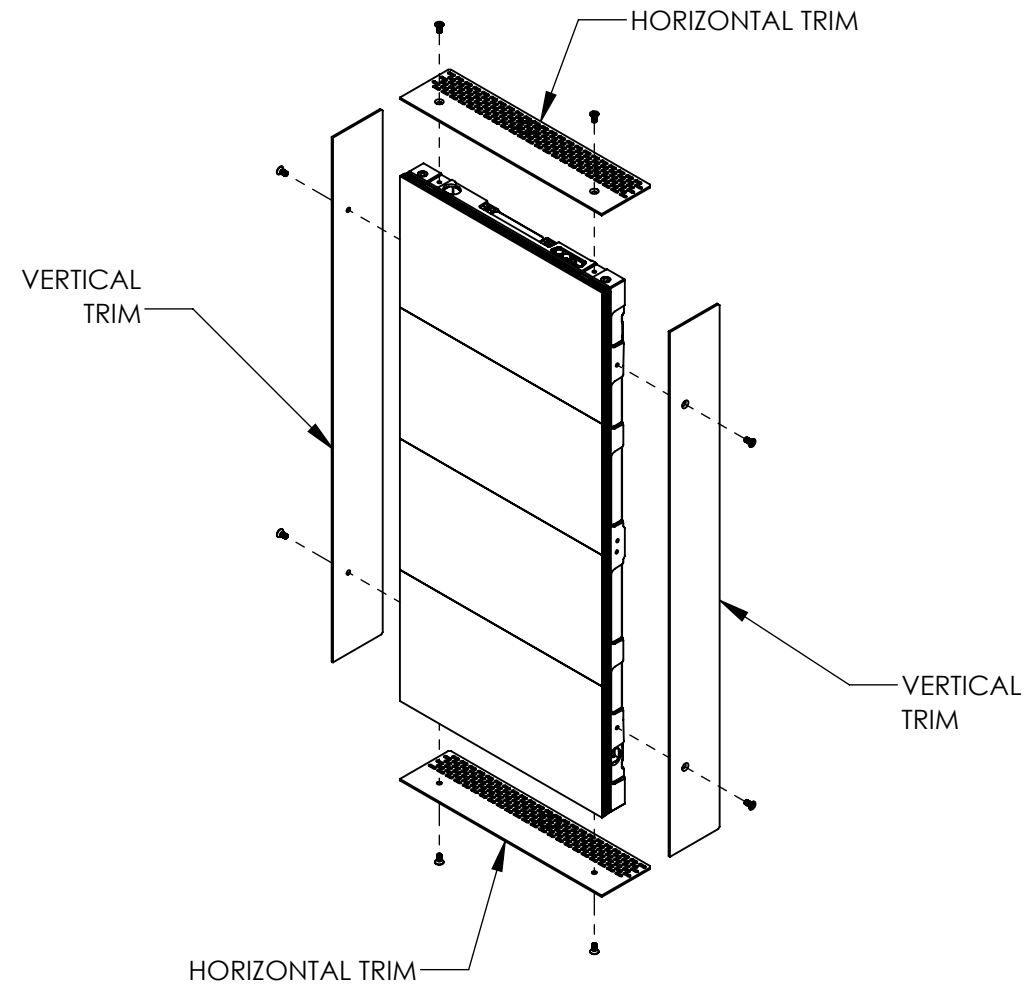
DRAWN BY: **DVE**

DRAWN DATE: **10/01/2024**

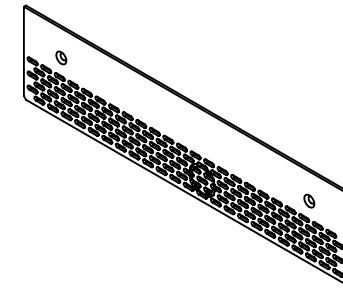
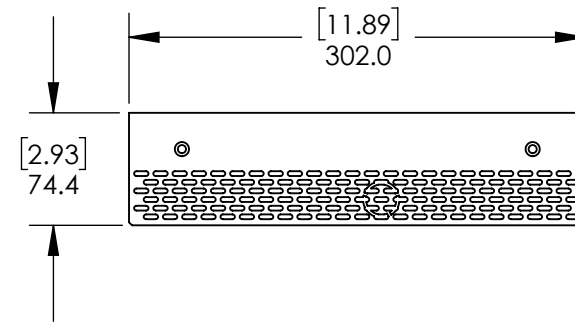
SHEET: **9 OF 10**

SHEET SIZE: **B** REVISION: **A**

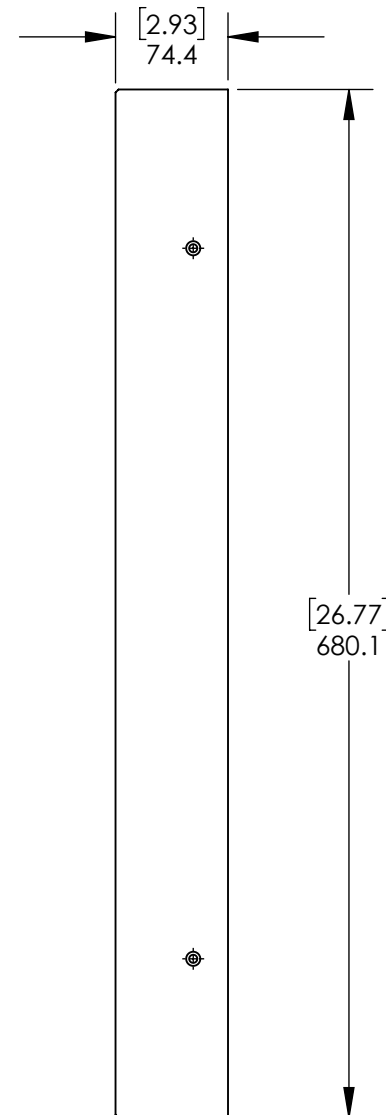
TRIM INSTALLATION



HORIZONTAL TRIM



VERTICAL TRIM



6. KEEP PERFORATIONS AREAS CLEAR FOR VENTILATION.
5. USE M5X0.8 16MM LONG FLATHEAD SCREWS TO ATTACH TRIM, PLAN TOOL ACCESS ACCORDINGLY FOR EXTERNAL INTERFERENCES.
4. REMOVE ALIGNMENT PINS AND RETRACT CONNECTOR FOR TOP TRIM ATTACHMENT.
3. REMOVE ANY INSTALLED M5 CAPTIVE SCREWS FROM THE BOTTOM ROW AND LEFT COLUMN OF THE WALL.
2. TRIM IS 2mm THICK.
1. SPECIFICATIONS SUBJECT TO CHANGE WITHOUT NOTICE.

NOTES: UNLESS OTHERWISE SPECIFIED.

PLANAR

PLANAR SYSTEMS, INC.
1195 NE COMPTON DRIVE
HILLSBORO, OR 97006 USA

THIS DRAWING CONTAINS INFORMATION PROPRIETARY TO PLANAR SYSTEMS, INC. ANY REPRODUCTION IN PART OR WHOLE WITHOUT THE WRITTEN PERMISSION OF PLANAR SYSTEMS IS PROHIBITED. THIS DRAWING IS SUPPLIED FOR INFORMATION, IDENTIFICATION, ENGINEERING, EVALUATION, AND/OR INSPECTION PURPOSES ONLY AND MAY NOT BE USED AS BASIS FOR THE MANUFACTURING OF PRODUCTS OR THE DESIGN OF ANY THIRD PARTY UNLESS AUTHORIZED IN WRITING BY PLANAR SYSTEMS.

PRODUCT
**DirectLight® Slim Series LED
Product Overview**

PART NO.

-

SHEET TITLE
**DLSLIM CABINET
TRIM**

UNLESS OTHERWISE SPECIFIED DIMENSIONS ARE IN MILLIMETERS (INCHES).

DRAWN BY
DVE

DRAWN DATE
10/01/2024

SHEET
10 OF 10

SHEET SIZE REVISION

B

A