

NEW VERSION 2.4 WITH

Improved Performance

Improved Stability

Improved Audio Controls



NEXT GENERATION VIDEO WALL MANAGEMENT

eyevis[™] eyeUNIFY Video Wall Software answers the flexible requirements of modern video walls and information display systems in control rooms, collaboration rooms, board rooms, crisis rooms and corporate signage applications. The software's modular, web-based concept allows for operation across platforms, different operating systems and a freely scalable number of clients.

Compatible with nearly every visual data and video source, eyevis eyeUNIFY Software provides the freedom to capture, display and share visual information across the video wall, control rooms and the entire enterprise.



Control of sources and displays



Encrypted communication



Comprehensive user management



Responsive web-based GUI



Open interfaces



Simple to maintain



Easy scalability

The eyeUNIFY User Interface at a Glance

The responsive web-based graphical user interface can be opened from any device with any browser within the system. After entering your user credentials you will receive an intuitive user interface enabling quick access to all functions assigned to that user.

The screenshot shows the eyeUNIFY web interface with a sidebar menu on the left and a main content area. The sidebar menu includes: Sources, Panorama, Layouts, Send Command, Remote Control, Audio, Recording, Clean Wall, Setup, and Logout. The main content area displays a grid of video sources, including news, weather, and data feeds. Red lines connect text labels to specific UI elements.

- List area shows available feature items
- Sources - List of available sources within the system
- Panorama - Panoramic previews of your room or building
- Layouts - Shows the predefined layouts of windows/sources
- Send Command - List of user-defined commands that can be sent by eyeUNIFY
- Remote Control - Take K&M control of the executing controllers
- Audio - List of available Audio signals within the system controllers
- Recording - Start and stop recordings of predefined wall areas
- Clean Wall - Closes all windows
- Setup - Enter system setup to create sources, commands, walls, users, etc.
- Logout
- Walls - List of available video walls/ displays in the system
- Wall preview area for sources, layouts, etc.
- Wall Sync - Synchronize windows/sources on two or more video walls
- Layout Mode - Switch to layout mode (offline mode) to create layouts without changing the active layout
- Preview - Activate preview mode to show wall content (available for selected source types)

MANAGEABLE SOURCE TYPES

- **Applications:** Any type of software running on the wall controllers
- **RGB:** Physical inputs on the controller (HDMI, DP, Analog, etc.)
- **Browser:** For the display of URLs, websites, and various file types
- **Carousel:** Looping sequence of selected available sources
- **Clock:** Digital clock that can be freely scaled and positioned
- **Message Box:** Displays definable text messages or RSS feeds
- **Genetec Camera:** Available Genetec Cameras or sources
- **Milestone Camera:** Available Milestone Cameras or sources
- **RDP:** RDP remote sessions displayed directly on the video wall
- **Stream:** IP video streams encoded on the controllers or EPU's
- **NDI Sources:** NDI Stream Capture
- **eyeUNIFY.cast:** Content from workstations connected through the LAN

eyeUNIFY HARDWARE ENVIRONMENT



eyevis™ netPIX™ Video Wall Controllers

- Highly flexible Video Wall Controller solution
- Wide range of input connections, large number of outputs
- Simple system architecture
- Expandable for future system upgrades
- High performance
- Different versions available to match every requirement



eyevis Processing Unit EPU-300

- Industrial-standard small form factor PC
- Flexible use as application server for the eyeUNIFY.core or as decoding device for one or several displays in an eyeUNIFY Infinity Wall installation



Leyard/Planar Display Technology

- Industry-leading large format LCD monitors and video wall displays for mission-critical 24/7 applications with tiled bezel widths from 0.88mm
- Premium LED video wall products for seamless display with pixel pitches from 0.6mm.

eyeUNIFY Licence Types & Features at a Glance

eyeUNIFY SURVEILLANCE LICENSE

eyeUNIFY ENTERPRISE LICENSE

eyeUNIFY PROFESSIONAL LICENSE



FREE POSITIONING AND SCALING

Resize and position the content source freely on the desktop area.



USER MANAGEMENT

Connect eyevis eyeUNIFY Software to your existing LDAP/Active Directory and make use of role based user management and authentication.



LAYOUT MANAGEMENT

Easily save a configuration of sources as a layout. Layouts can be used as a source groups or recalled as a window configuration on the entire video wall.



MULTI-DISPLAY MANAGEMENT

eyevis eyeUNIFY Software can scale from single screen installations, to multi-screen controllers or distributed video wall systems without limitations.



AUTOMATIC CHANGE OVER

Connections to executor devices can be monitored and linked to actions according to their status, e.g. switch automatically to a backup controller.



OPEN INTERFACES

Easily integrate eyevis eyeUNIFY Software into your system architecture and connect existing and new components over the API.



FLOW SCHEDULER

Automate the management of your video wall with time-controlled triggers and associated tasks. Opening of sources/layouts, send commands, etc.



AUDIO MIXER

Control the sound level of any audio channels of the connected sources from any client.



LOGGING

The advanced logging provides a comprehensive overview of the activities on your video wall system, such as system events, user accesses and actions.



HOTKEY MANAGER

Freely define your individual hotkeys and keyboard shortcuts for every operator workstation and enable immediate operations by pressing a button.



PANORAMA VIEW

Get an even more intuitive overview by uploading a photo or plan of your room or building and placing your existing video walls and displays on it.



MULTI-LANGUAGE

Choose between English, German, Italian and French. More languages can easily be integrated based on customer's needs.



AUTO SOURCE DISCOVERY

Browse your network and automatically include industry standard devices such as IP network camera or video encoders to your source list.



OFFLINE LAYOUT

Create or to modify a layout offline, that is to say without impacting the video wall display



EXTERNAL DEVICE SUPPORT

Automate the management of your video wall and initiate flow processes to control GUDE Power Distribution Units or respond to Schneider I/O boxes.



WEB PAGES AUTO-REFRESH

Parameter the automatic refresh of a Web Page displayed on the video wall, using the Browser type of source.



REMOTE DESKTOP PROTOCOL (RDP)

Open and display any MS RDP remote session directly on the video walls and combine with other type of sources in video wall layouts.



REMOTE DESKTOP CAPTURE & SOFTWARE KVM

The eyeUNIFY.cast service is a software for remote control, transfer, and distribute desktop content over the network.



REMOTE CONTROL

Access keyboard and mouse control of any controller driving the video walls and displays from any web client.



REMOTE NDI® SOURCE SUPPORT

NDI-enabled applications connected to the local area network, can be easily added to the list of available input signals.



WALL SYNC

Synchronize two video walls and let them display the same content. Layout changes will automatically be mirrored on the synchronized display wall.



MILESTONE XPROTECT VMS PLUGIN*

Get seamless control in Milestone XProtect VMS Smart Client through an eyeUNIFY plugin, and include all sources connected to the Milestone server in eyeUNIFY.



GENETEC SECURITY CENTER PLUGIN*

A new Genetec Security Center plugin enables wall management features in the Genetec GUI as well as automated inclusion of Genetec sources in eyeUNIFY.



WALL RECORDING

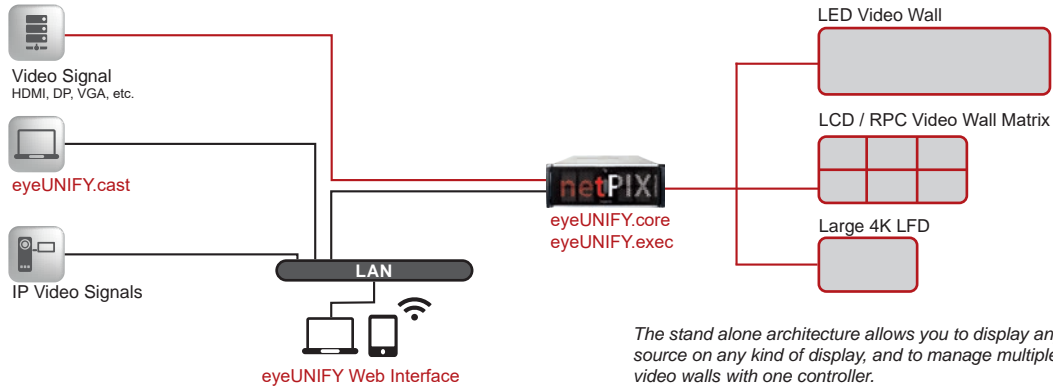
The new recording function enables the recording of predefined display areas or complete video wall systems for future analysis and training.

* The functionality of the VMS integration requires the purchase of the eyeUNIFY plugin from the respective VMS provider, which may involve additional costs.

CONFIGURATIONS EXAMPLES

■ Stand-alone configuration

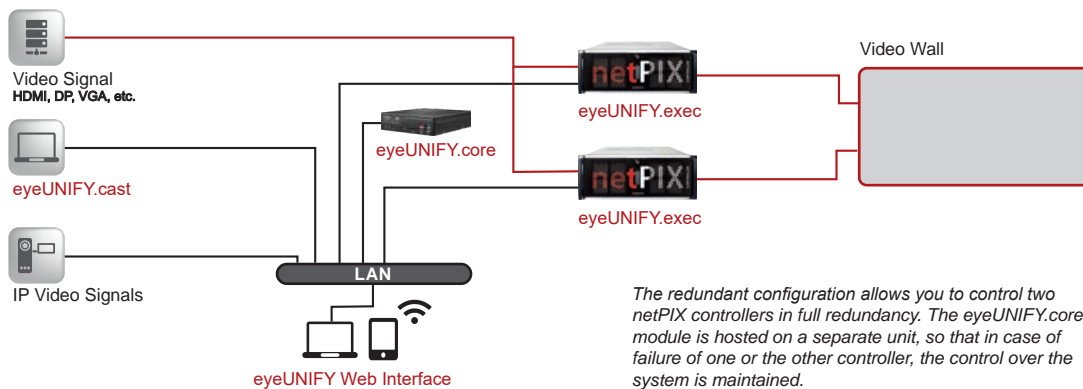
eyeUNIFY.core and eyeUNIFY.exec on the same controller



The stand alone architecture allows you to display any source on any kind of display, and to manage multiple video walls with one controller.

■ Redundant Configuration

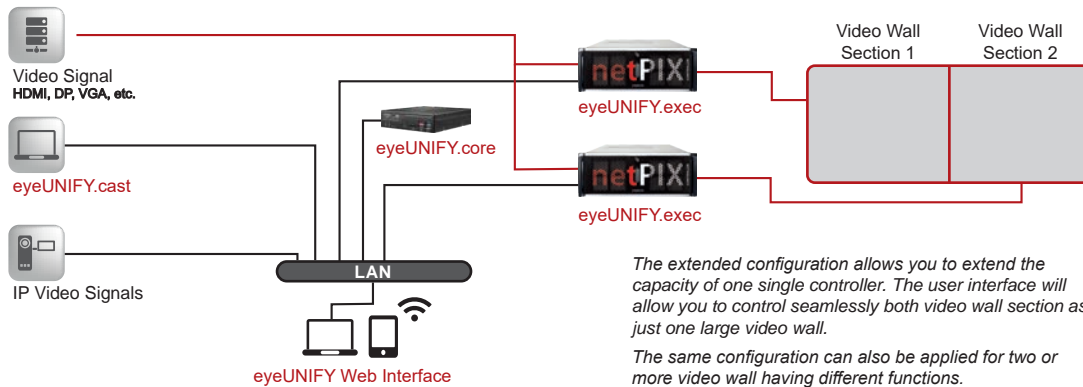
eyeUNIFY.core is executed on a separate control unit



The redundant configuration allows you to control two netPIX controllers in full redundancy. The eyeUNIFY.core module is hosted on a separate unit, so that in case of failure of one or the other controller, the control over the system is maintained.

■ Extended Configuration

Two controllers are used to extend the capacity of the system

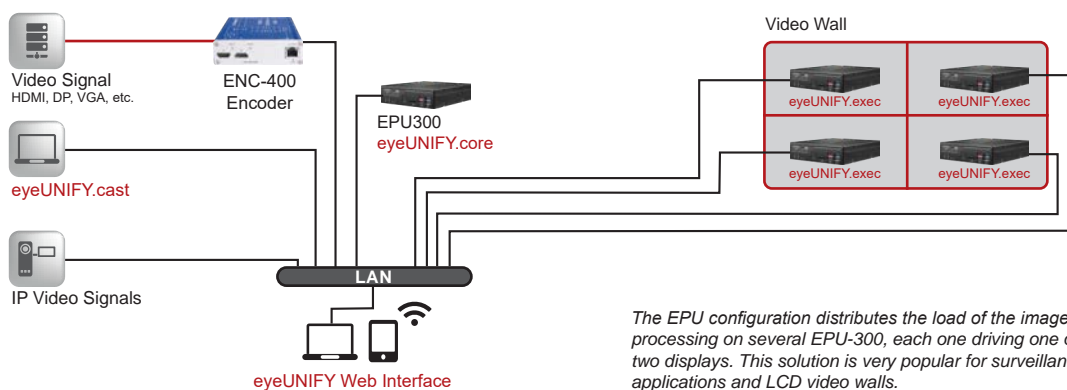


The extended configuration allows you to extend the capacity of one single controller. The user interface will allow you to control seamlessly both video wall section as just one large video wall.

The same configuration can also be applied for two or more video wall having different functions.

■ EPU Configuration (surveillance applications)

One EPU-300 drives one or two displays



The EPU configuration distributes the load of the image processing on several EPU-300, each one driving one or two displays. This solution is very popular for surveillance applications and LCD video walls.

eyeUNIFY Surveillance Licence

With the new eyevis eyeUNIFY Surveillance licence available from version 2.2, we close the gap between video management systems (VMS) and video wall management.

The first developments behind this type of licence were integrations with the industry's leading video management systems. These plug-ins, available from the respective vendors, allow easy integration of the VMS servers and their sources into the eyeUNIFY environment and, conversely, control of the wall management directly from the GUI of the respective video management system.

After a successful connection of eyeUNIFY with the VMS server, the connected sources and applications are automatically transferred to the eyeUNIFY source lists.

The benefits of eyevis VMS Plugins

- Seamless control of any number of eyevis video walls or displays from the VMS
- VMS users now have direct access to the unique features of eyevis video wall technology
- Display on the video wall of the widest range of security control room sources including:
 - IP & analogue video
 - Workstation graphic sources e.g. access control, alarm monitoring, mapping
 - Web/intranet based data
 - Live TV news feeds
 - RSS news & organisational status feeds
 - Collaborative data from mobile devices such as iPad, Android & phones

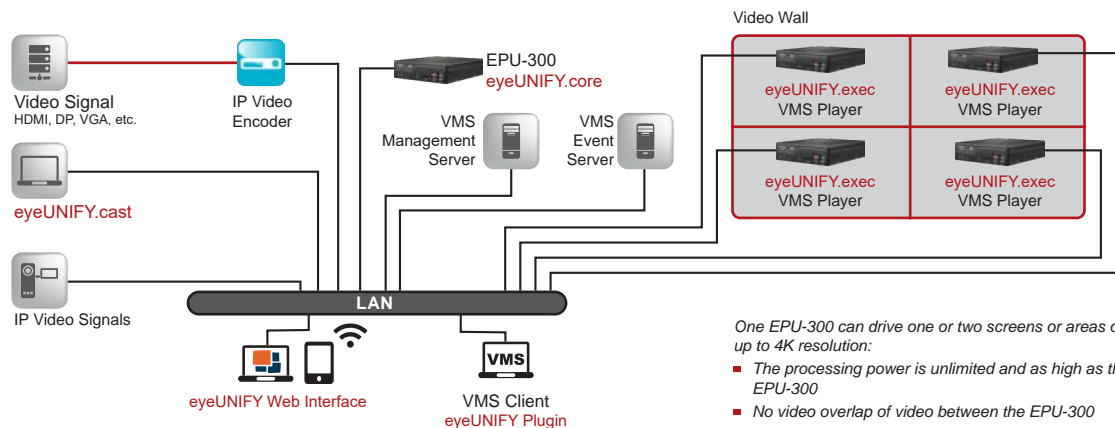


Calderdale Council CCTV Centre, UK



Autoroutes du Maroc Highway Control Centre

Example Configuration



- One EPU-300 can drive one or two screens or areas of up to 4K resolution:
- The processing power is unlimited and as high as there are EPU-300
 - No video overlap of video between the EPU-300

VIDEO MANAGEMENT INTEGRATIONS



TECHNOLOGY
PARTNER
PROGRAM