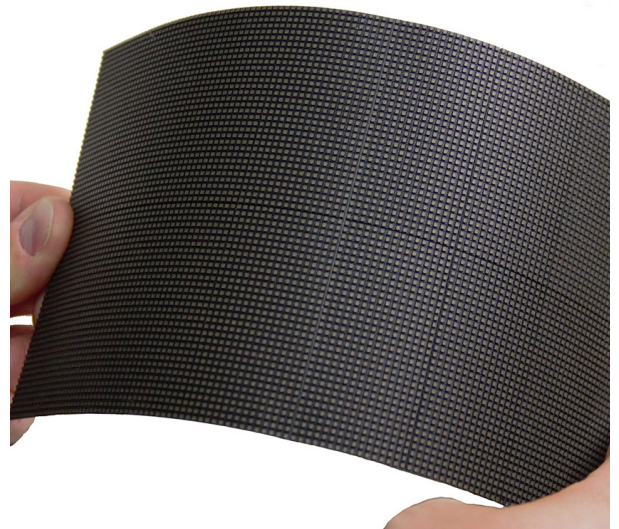




## Leyard Europe CarbonLight CLI Flex Series

### Curved LED Video Wall

- ▶ *0.9, 1.3, 1.5, 1.9, 2.6 & 3.9mm pixel pitches*
- ▶ *Bendable for convex or concave curves*
- ▶ *Tight continuous curves without colour shift*
- ▶ *Hang, wall mount or free stand*

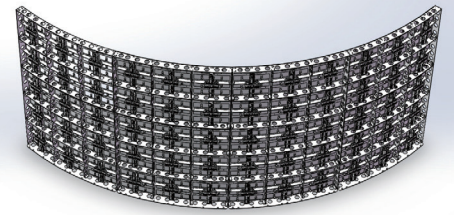
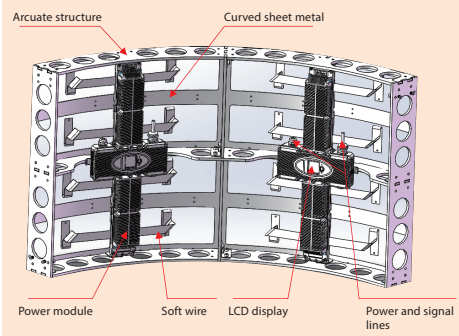


Leyard Europe CarbonLight™ CLI Flex™ Series pliable LED video wall displays combine to create immersive and eye-catching concave or convex curved video walls. The LED modules are literally bendable, ideal for smoothly curved walls, waves, halos or column wraps. The modules can form tight continuous curves without color shift, offering a more visually appealing alternative to faceting flat LED cabinets into segmented curves.

### **Combine with Flat Walls**

Leyard Europe CarbonLight CLI Flex Displays can be seamlessly blended with standard, non-pliable, CarbonLight™ CLI Series cabinets to form unique video walls with both flat and curved sections that can truly envelope viewers.





### Efficient System Design

Each power and data distribution unit connects to eight LED modules.

### Extended Ruggedness & Optics

Displays are available with Planar® ERO-LED™ protective coating that adds durability in high-traffic and interactive environments.

### Custom-defined Curves

Leyard CarbonLight CLI Flex modules attach magnetically to a custom sheet metal box frame

Model	CLI-Flex-0.9	CLI-Flex-1.3	CLI-Flex-1.5	CLI-Flex-1.9	CLI-Flex-2.6	CLI-Flex-3.9
Pixel Pitch	0.9 mm	1.3 mm	1.5 mm	1.9 mm	2.6 mm	3.9 mm
Resolution	256x128	192 x 96	160 x 80	128 x 64	96 x 48	64 x 32
Pixel Density	1,236,544/m <sup>2</sup>   114,920/ft <sup>2</sup>	589,824/m <sup>2</sup>   63,488/ft <sup>2</sup>	409,600/m <sup>2</sup>   38,053/ft <sup>2</sup>	262,144/m <sup>2</sup>   24,353/ft <sup>2</sup>	147,456/m <sup>2</sup>   13,699/ft <sup>2</sup>	65,536/m <sup>2</sup>   6,088/ft <sup>2</sup>
LED Module Size (WxH)	250 x 125mm   9.84 x 4.92in					
Brightness (nits)	1000	600	600	800	800	1,000
Power Consumption (watts)	400 m <sup>2</sup>   37.2 ft <sup>2</sup> 200 m <sup>2</sup>   18.6 ft <sup>2</sup>	max. 600/m <sup>2</sup>   55.75/ft <sup>2</sup> typ. 200/m <sup>2</sup>   18.58/ft <sup>2</sup>	max. 900/m <sup>2</sup>   83.6/ft <sup>2</sup> typ. 300/m <sup>2</sup>   27.8/ft <sup>2</sup>	max. 900/m <sup>2</sup>   83.6/ft <sup>2</sup> typ. 300/m <sup>2</sup>   27.8/ft <sup>2</sup>	max. 900/m <sup>2</sup>   83.6/ft <sup>2</sup> typ. 300/m <sup>2</sup>   27.8/ft <sup>2</sup>	max. 600/m <sup>2</sup>   55.75/ft <sup>2</sup> typ. 200/m <sup>2</sup>   18.58/ft <sup>2</sup>
GOB (Glue-on-Board Protection)	Required			Optional		
Curve Diameter Min	Not applicable			955mm   37.59in		
Curve Diameter Min with GOB	1,510mm   59.45in					
LED Module Diagonal	279.5mm   11in					
LED Module Area	.03125 m <sup>2</sup>   .33637 ft <sup>2</sup>					
Line Voltage	100~240V AC, 50/60 Hz					
LED Module Weight	0.12kg   0.26lbs					
System Weight Typical	27.15kg/m <sup>2</sup>   5.6lbs/ft <sup>2</sup>					
Contrast Ratio	4,000:1					
LED Refresh Rate	3,840Hz					
Colour Temperature, Adjustable (k)	3,000~9,000					
Grey Scale	14 bit					
Viewing Angle (H/V)	140°, 140°					
Frame Rate	50~60Hz					
Control Type Input	CAT6 Ethernet					
Service Access	Front					
Lifetime, Typical	100,000 hrs					
Environment	Indoor					
Power Supply	Dual Power Supply					
Operating Temperature	-20° to 40° C   -4° to 104° F					
Storage Temperature	-35° to 60° C   -31° to 140° F					
Regulatory Compliance	FCC Class A, CE, UL recognized component					
Mounting Structure	Custom sheet metal box frame					
Power & Data Distribution Box	8 LED modules per box					