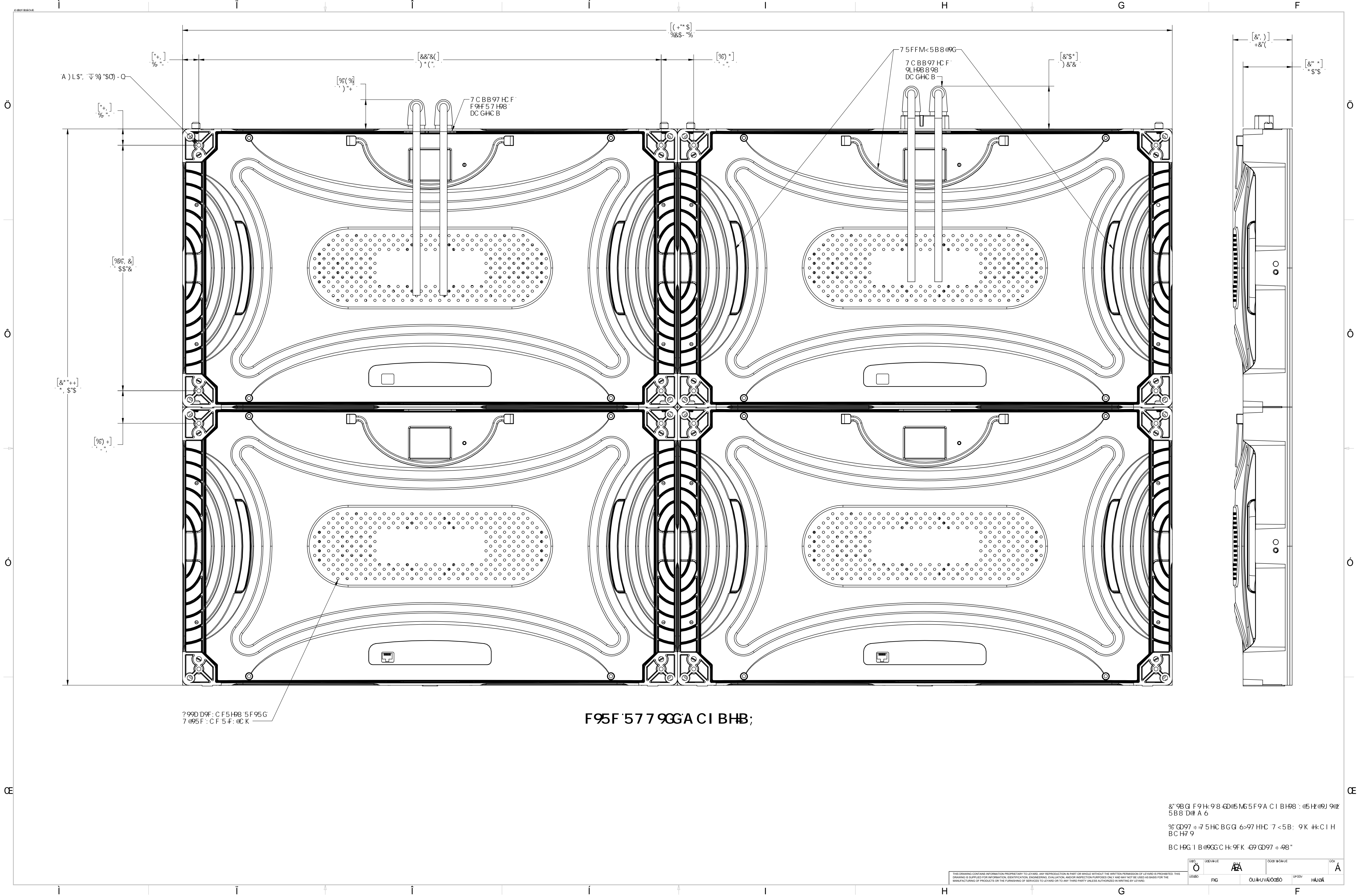


% GD97 ± .7 5HC BGG 6-97 HC 7 < 5B; 9K # C I H B C H 7 9'  
 B C H G 1 B @ G G C H: 9 F K @ 9 GD97 ± .98"

THIS DRAWING CONTAINS INFORMATION PROPRIETARY TO LEYARD. ANY REPRODUCTION IN PART OR WHOLE WITHOUT THE WRITTEN PERMISSION OF LEYARD IS PROHIBITED. THIS DRAWING IS SUPPLIED FOR INFORMATIONAL, IDENTIFICATION, ENGINEERING, EVALUATION, AND/OR INSPECTION PURPOSES ONLY AND MAY NOT BE USED AS A BASIS FOR THE MANUFACTURING OF PRODUCTS OR THE FURNISHING OF SERVICES TO LEYARD OR TO ANY THIRD PARTY UNLESS AUTHORIZED IN WRITING BY LEYARD.

|      |      |               |      |
|------|------|---------------|------|
| REV  | DATE | BY            | CHKD |
| 0    |      | AE            | A    |
| 0000 | PIF  | ΟΥΛΙΑΝΟΠΟΥΛΟΣ | GUOΛ |



A) LS', ∇ ∅ "SO) - O

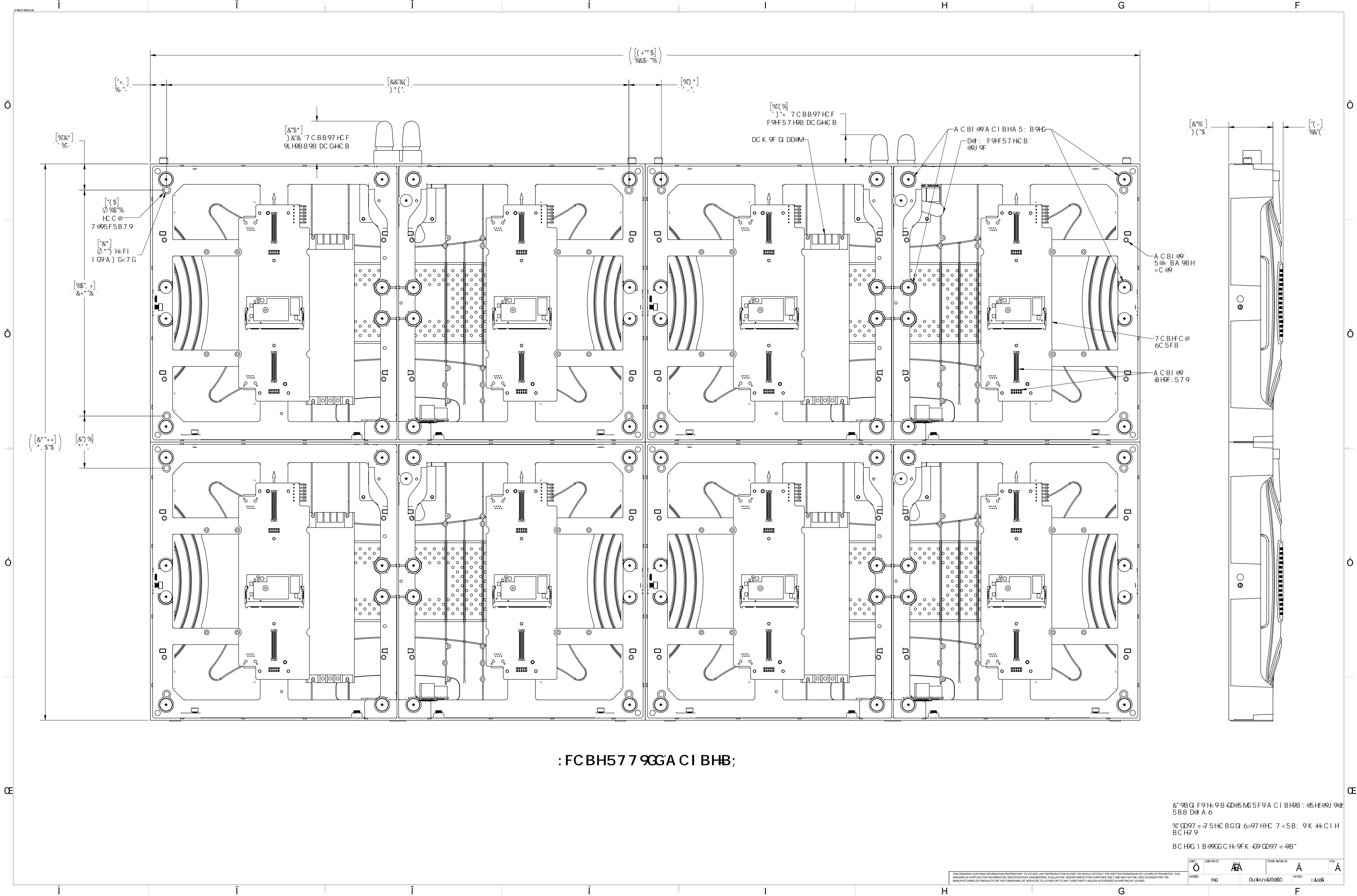
7 CBB97 HC F  
F9H 57 H88  
DC GHC B

7 5FFM<5B8 @G  
7 CBB97 HC F  
9LH88 898  
DC GHC B

7 990 D9F: C F5H98 5F95G  
7 @95F: C F 5 F: @C K

F95F 577 9GA CI BHB;

8" 9B G F9H 98 @D @M 65F9A CI BHB8 : @H @J 9@  
5B8 D@ A 6  
% @D97 = 7 5HC BGG 6>97 HHC 7 <5B; 9K #k CI H  
BC H7 9  
BC HG 1 B @9GC H: 9FK -@9 @D97 = 98"

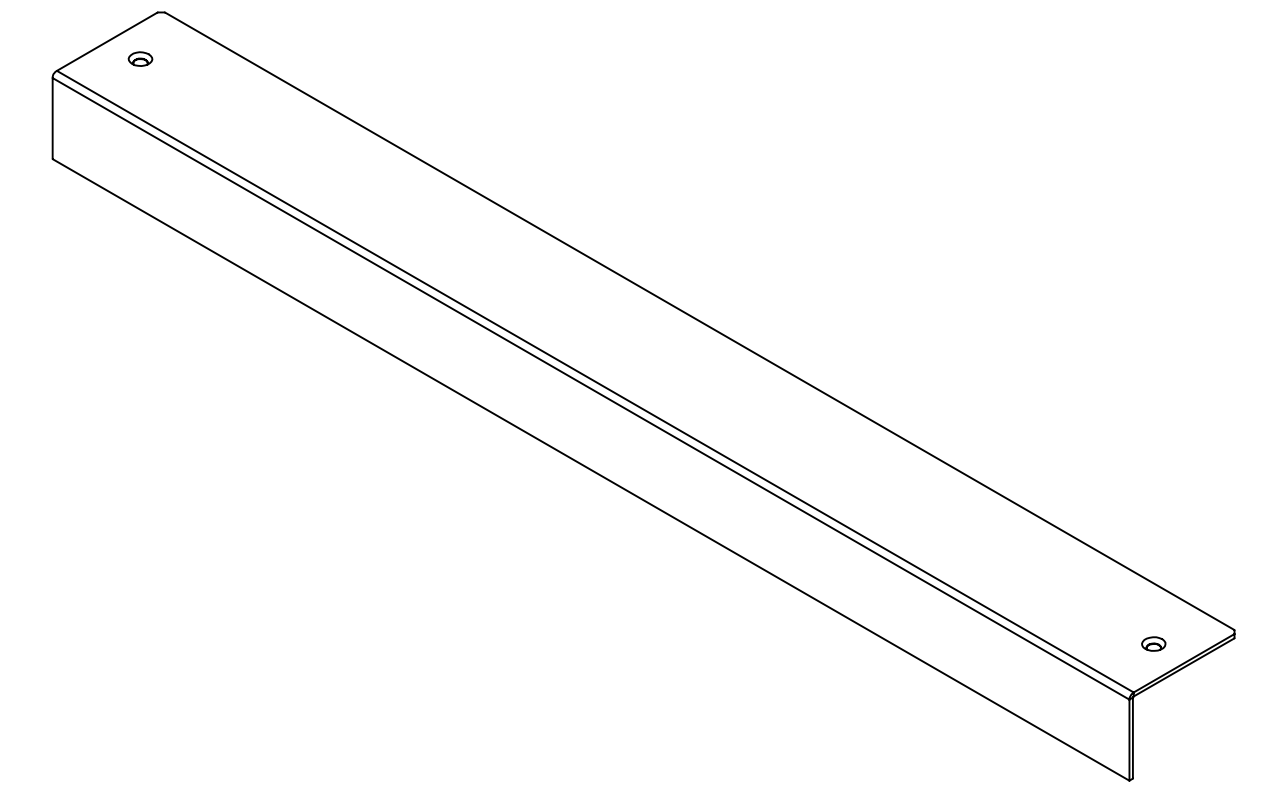
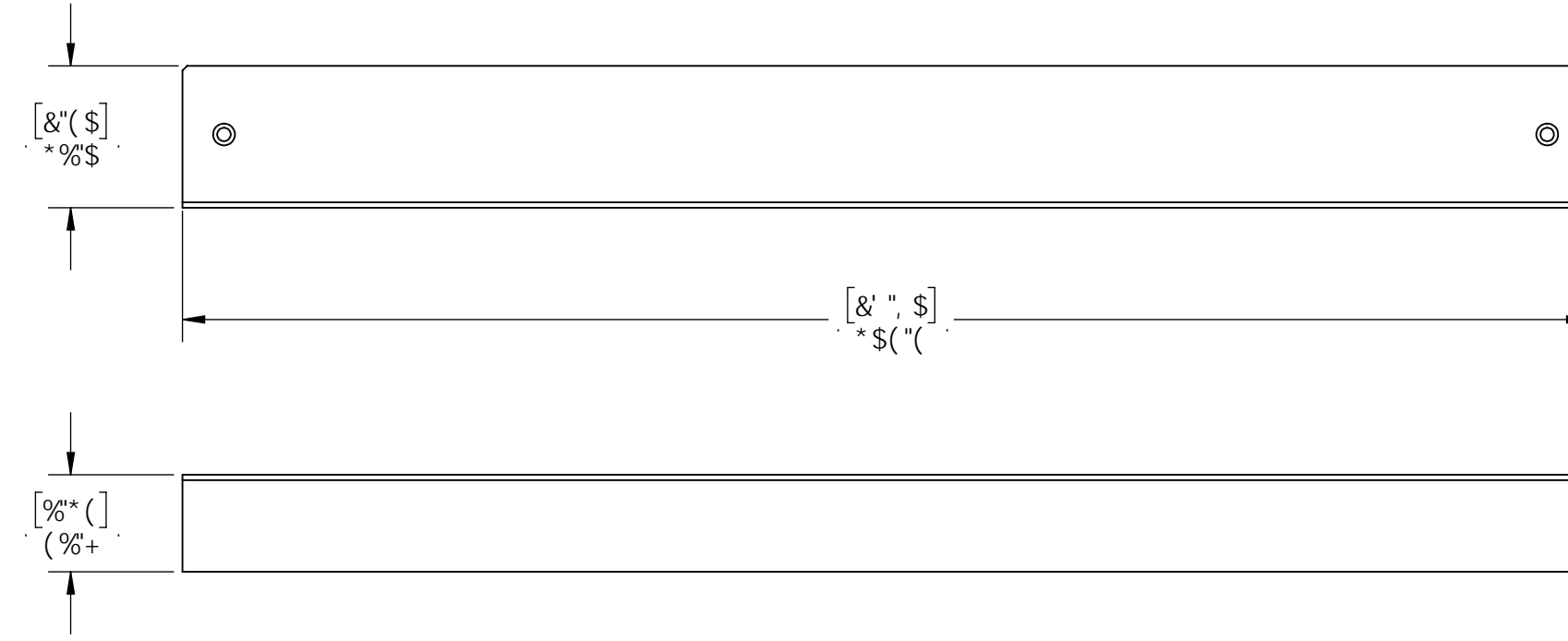


: FCBH5779GA CI BH#;

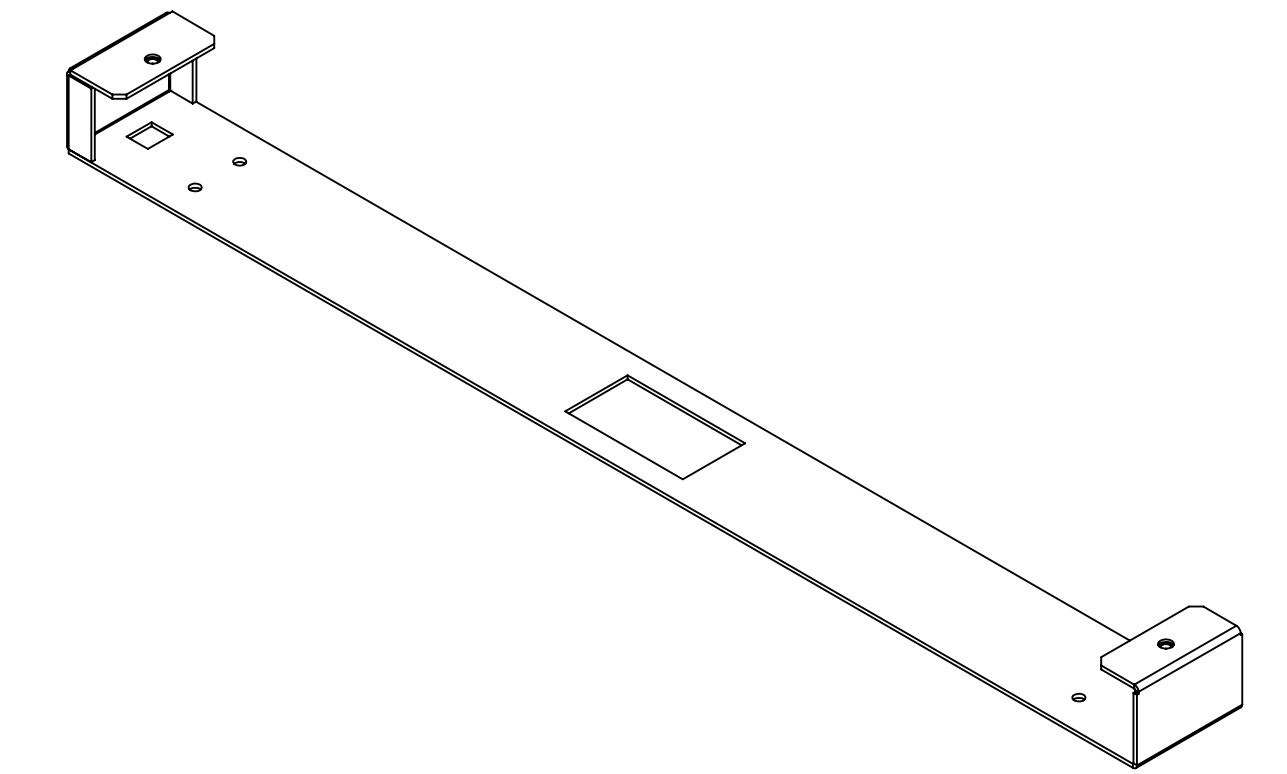
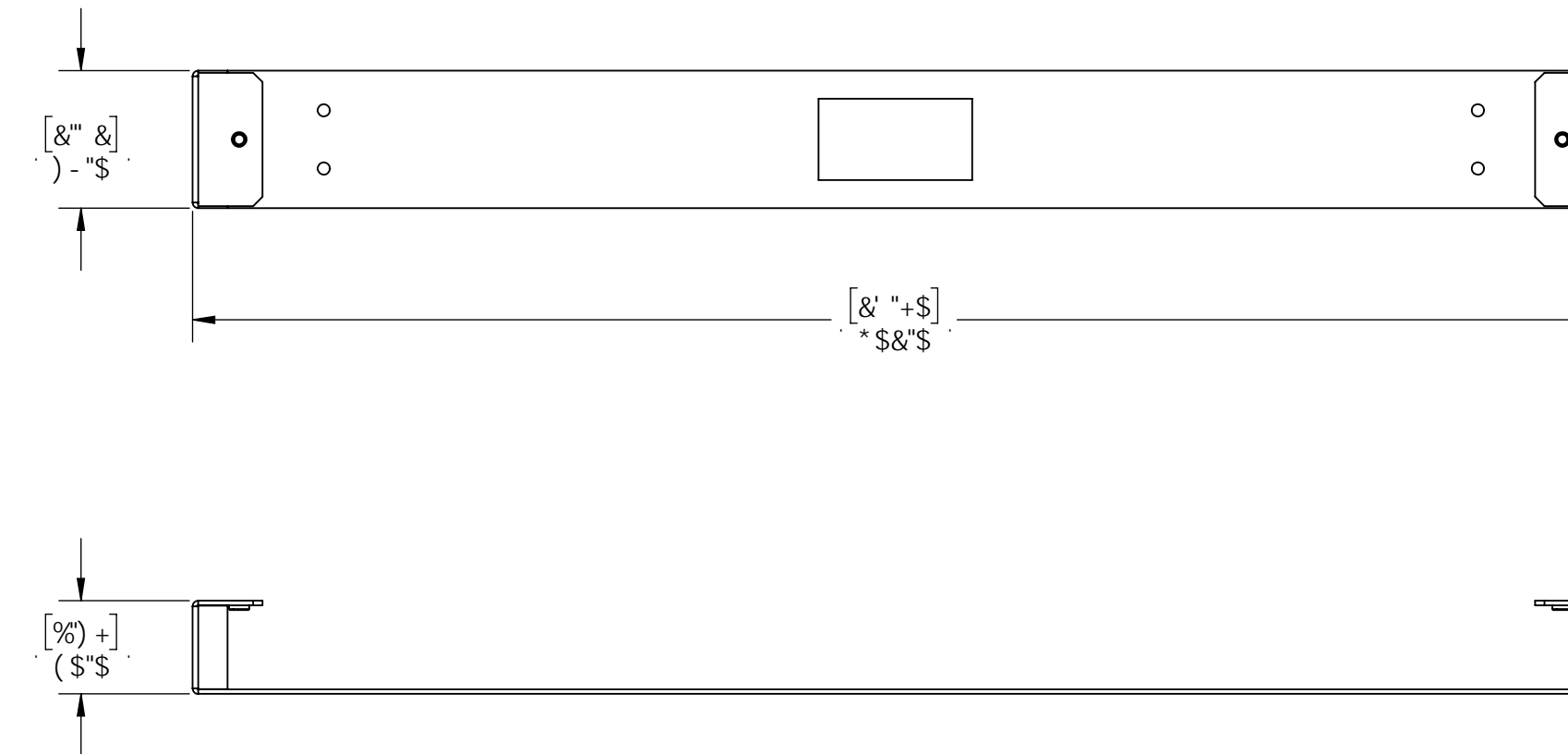
8"9B G F9H:98-6D@5M5F9A CI BH#8 : 65H@J 9@  
 5B8 D@ A 6  
 9"Q97 = 7 5HC BGG 6>9 HHC 7 <5B; 9K #C I H  
 BC#7 9  
 BC HG I B@9GC H: 9F K -69 CD97 = 98"

HF-A-BG5@5HC-B

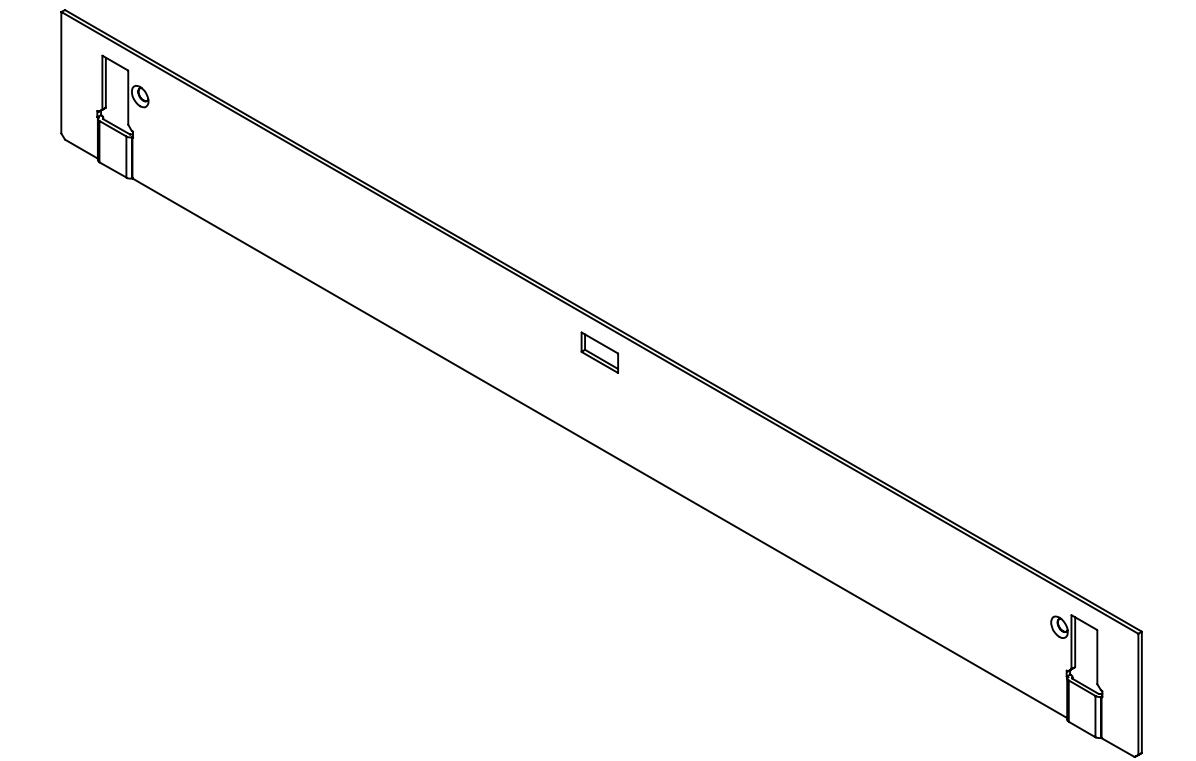
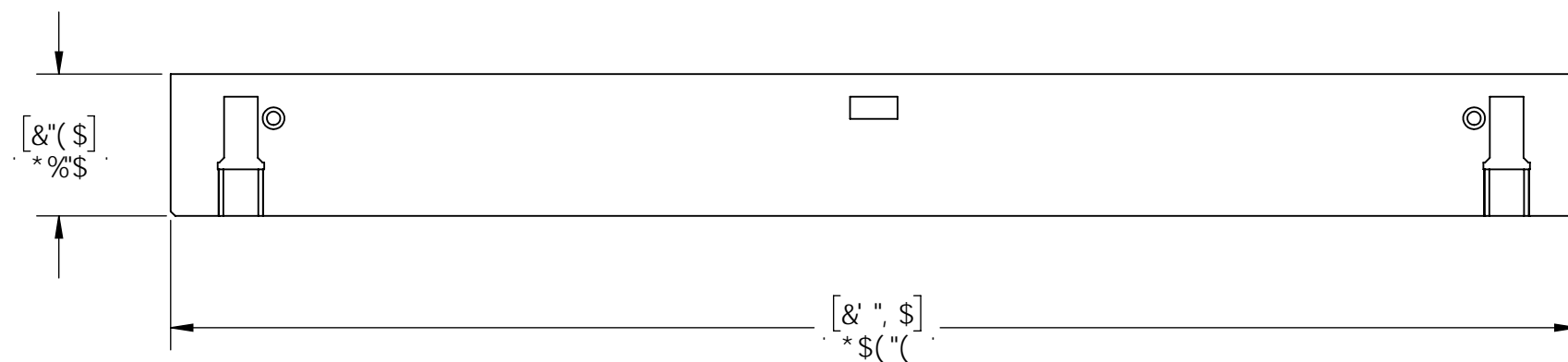
HC-DHF-A



HC-D'6F57?9H



6C-HC-A HF-A



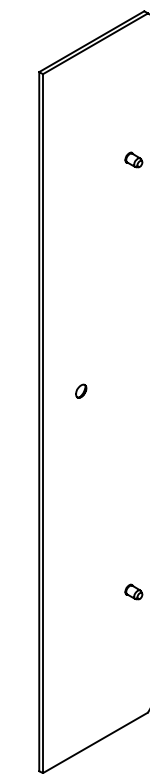
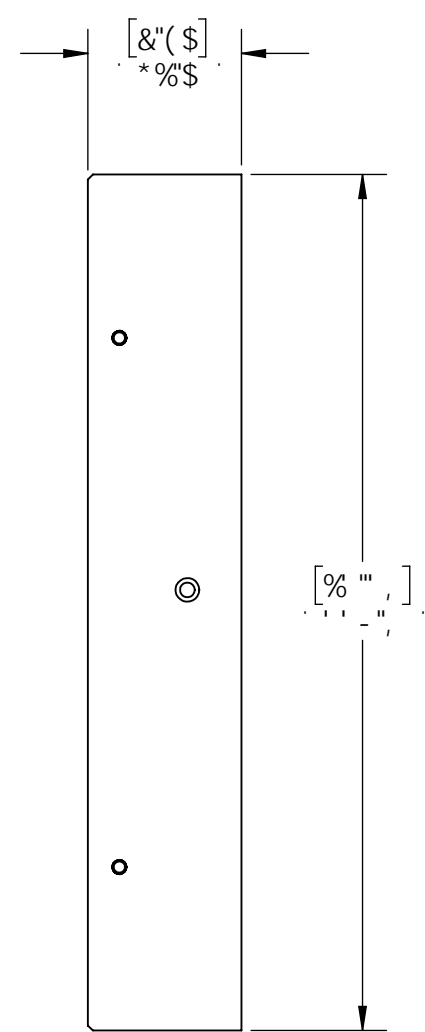
G89HF-A  
ff9<H

HC-D'6F57?9H

G89HF-A  
ff9<H

6C-HC-A HF-A

G89HF-A



"G89HF-A" 61 B 9F C5 @5B8 6-BG5@98 CB H-9  
@9 H5B8 F <HG89"

("A, HCIA) H-F958-BG9FH-6CB@MBG5@98-B  
H-96C HC-A 5B8 @ HFF-A DC GHE BG"

"7 CBB97 HC F CB H-9HC D 7 5 6 B 9HA I CH69-B  
H-9F9F57H98 DC GHC B DF-6F HC HF-A  
BG5@5HC-B"

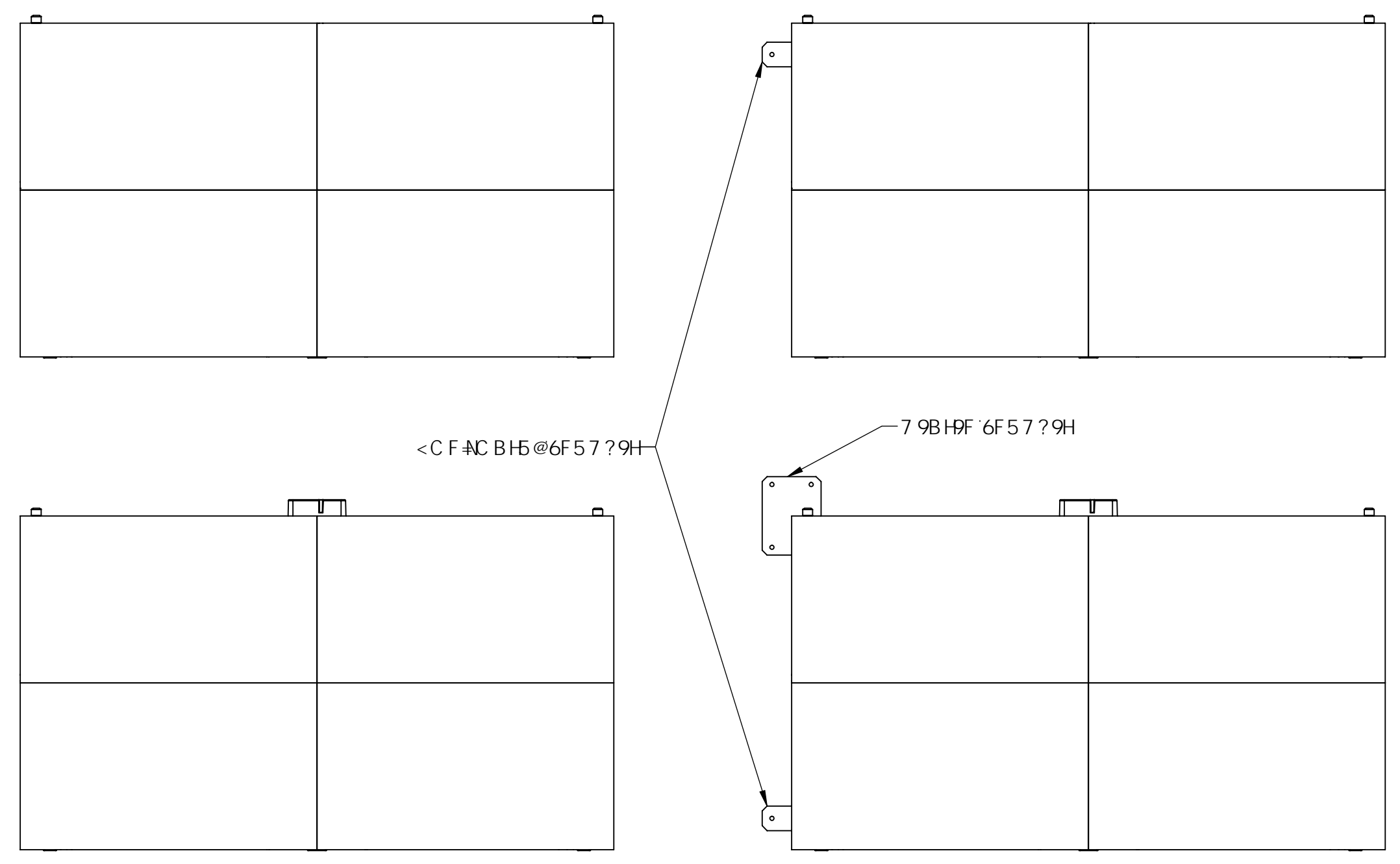
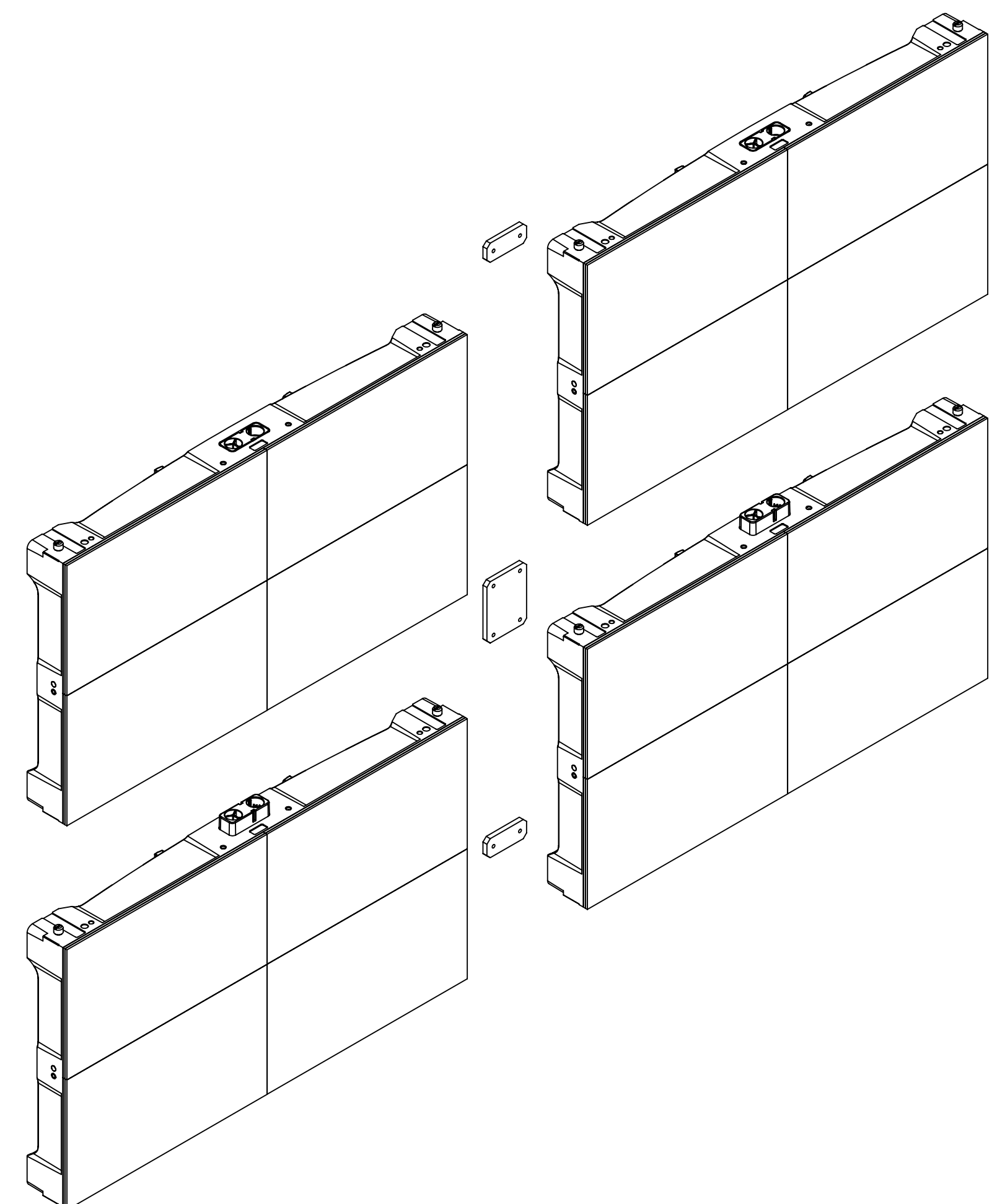
8" 9B G F 9 H 9 8 @5 M 6 5 F 9 A C I B H 9 8 : @5 H @9 J 9 @  
5B8 D @ A 6

% GD97 @ 7 5 HC BG Q 6 > 97 HC 7 < 5 B : 9 K H C I H  
BC H 7 9

BC H G 1 B @ G G C H 9 F K @ 9 G D 9 7 @ 9 8 "

THIS DRAWING CONTAINS INFORMATION PROPRIETARY TO LEVARD. ANY REPRODUCTION IN PART OR WHOLE WITHOUT THE WRITTEN PERMISSION OF LEVARD IS PROHIBITED. THIS DRAWING IS SUPPLIED FOR INFORMATIONAL, IDENTIFICATION, ENGINEERING, INSTALLATION, AND/OR INSPECTION PURPOSES ONLY AND MAY NOT BE USED AS BASIS FOR THE MANUFACTURING OF PRODUCTS OR THE FURNISHING OF SERVICES TO LEVARD OR TO ANY THIRD PARTY UNLESS AUTHORIZED IN WRITING BY LEVARD.

|      |     |      |      |      |
|------|-----|------|------|------|
| 0000 | FIG | 0000 | 0000 | 0000 |
|      |     |      |      |      |



C DHÇ B5@<C F#C B1B@6F57?9H

C DHÇ B5@7 9B1B@6F57?9H

